



# **USER GUIDE**

**R50052W**

# Introduction

---

Thank you for buying this high quality appliance!

This handbook is designed to help you through each step of owning your new appliance, from installation, to use.

Please read through all of this guide carefully before you start using your appliance, as we have endeavoured to answer as many questions as possible, and provide you with as much support as we can.

If, however, you should find something missing, or not covered, please contact the Lec Customer Care team who will be only too happy to assist you on:

**0844 815 3737**

Our policy is one of constant development and improvement, therefore we cannot guarantee the strict accuracy of all of our illustrations and specifications changes may have been made subsequent to publishing.

# Contents

---

For your safety . . . . .	1
About your product . . . . .	3
Installing your appliance. . . . .	4
Using your appliance. . . . .	5
Care & cleaning. . . . .	8
Troubleshooting. . . . .	9
Reversing the door. . . . .	10
Changing the plug. . . . .	11
Service record and Customer Care . . . . .	Backcover

## Disposal of old appliances

Before disposing of an old appliance, make sure that you have broken off, or disabled any locking mechanisms to prevent children becoming accidentally locked inside. Remove any plugs and power leads to ensure that the appliance is inoperative.



**Please note:** This symbol means that products bearing it may not be disposed of with household waste.

The refrigeration system contains insulating gases and refrigerant which will require specialist disposal. Most components can be recycled. Always contact your local council or authority for information regarding the correct disposal/removal of old appliances, do not dispose of with household waste.

**Warning:** When disposing of an old appliance make sure that the pipe work does not become damaged.

## Packaging

All of the packaging supplied with your appliance can be recycled, or disposed of without any harm to the environment.

Cardboard may be crushed, or cut into smaller pieces if required for recycling or disposal. The polythene and polystyrene included contain no CFC's, and are environmentally friendly.

For further information on recycling, contact your local council or authority.

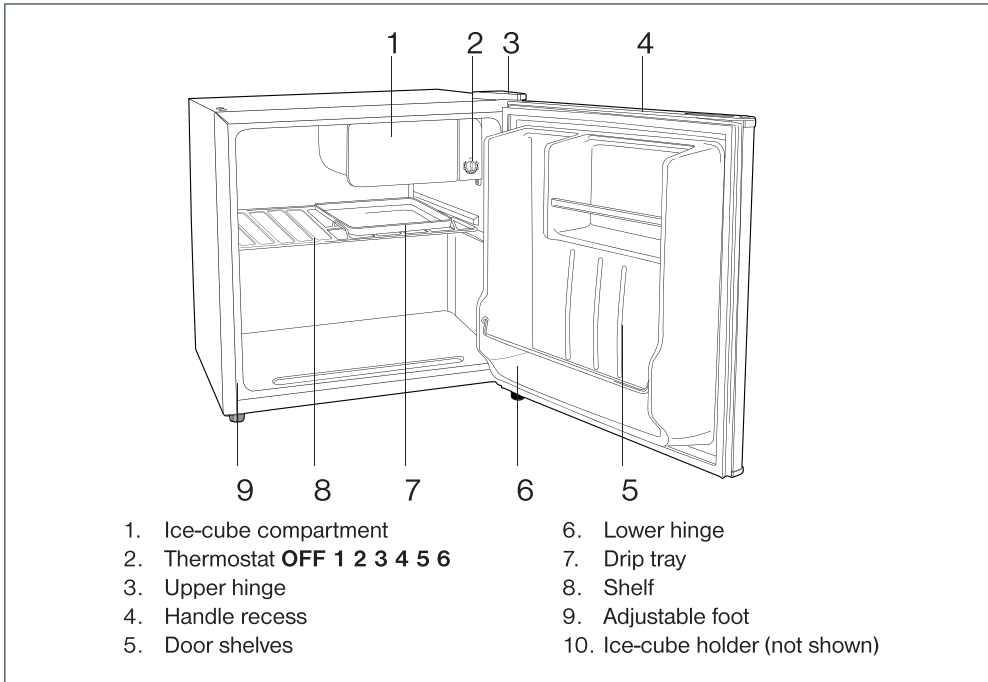
## Before installing and using your new appliance

- Read through the instructions supplied with your appliance - failure to install or use this appliance in accordance with the instruction book may invalidate any warranty.
- The manufacturer does not accept any liability for damage caused through improper use, or incorrect installation.
- Do not install this appliance if it has been damaged during transportation. This includes the plug and power supply cord.
- Always install this appliance in line with these instructions.
- Always read these instructions fully before using the appliance for the first time.

- 
- **Warning:** Do not allow the refrigerant circuit to become damaged while using or installing. Should it become damaged, do not use the appliance until you are instructed to do so by a service engineer. Refrigerant can ignite or cause damage to the eye when leaking.
  - Always remember to unplug the appliance before cleaning. When disconnecting from the electricity supply, pull the plug, not the power cord.
  - Do not use any electrical appliance inside the food storage area - unless they are recommended by the manufacturer.
  - All electrical repairs must be carried out by a qualified electrician. Inadequate repairs may result in a major source of danger for the user and invalidate any warranty.
  - Never store anything dangerous inside the appliance, such as combustibles, explosives, strong acid and alkali etc. Alcoholic beverages must be stored upright in an air tight container in the refrigerator. Never store alcohol in a freezer.
  - Always keep any ventilation openings clear of obstruction. Should they become blocked, clear them straight away.
  - Do not allow children to play, sit or hang onto any part of the appliance.
  - This appliance is intended for domestic use only, for food refrigeration.
  - Make sure that the plug is in an accessible place when installation is complete and remove all packaging.
  - Only use this appliance for domestic purposes in accordance with these instructions.
  - This appliance is not intended for use by persons (including children) with reduced physical, sensory or mental capabilities, or lack of experience and knowledge, unless they have been given supervision or instruction concerning use of the appliance by a person responsible for their safety.
  - Refrigerating appliances might not operate consistently when sited for an extended period of time below the cold end of the the range of temperatures of the appliance.

# About Your Product

**Model Name: R50052W**



Technical Specification		
Appliance dimensions	MODEL	R50052W
	Width (mm)	472
	Depth ( mm)	450
	Height (mm)	492
	Net volume (litres)	45L
Technical Data	Energy Rating	A+
	Climate Class	ST
	Noise (dB (A) re1pw)	45dBA
	Refrigerant type	R600a(16g)

This appliance operates at a voltage of:  
220 - 240V ~ 50Hz

## Before you start

- This appliance must stand vertically on a flat, even surface, to level the appliance use the leveling feet by turning them until the appliance is as level as possible. Do not install onto carpeted surfaces as this prevents adequate ventilation.
- Install the appliance in a well ventilated room. The appliance should not be placed near to any heat sources (cookers, heaters etc.) or in any unheated rooms (garages, outhouses etc.) as the ambient temperature affects the performance of the appliance.
- Do not expose the appliance to damp conditions, open air or rain.
- Do not lift the appliance by the pipes or the door when moving.

Should the appliance become damaged, contact Lec Customer Care and do not use the appliance until you are instructed to do so by a service engineer.

## Installation clearances

- Allow 300mm clearance at the rear of the appliance and adequate clearance on each side of the appliance and over the top to ensure proper ventilation (see figures).

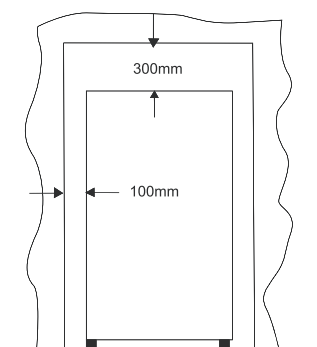
## Getting started

Once you have installed your appliance in an appropriate location, follow the start up procedure below:

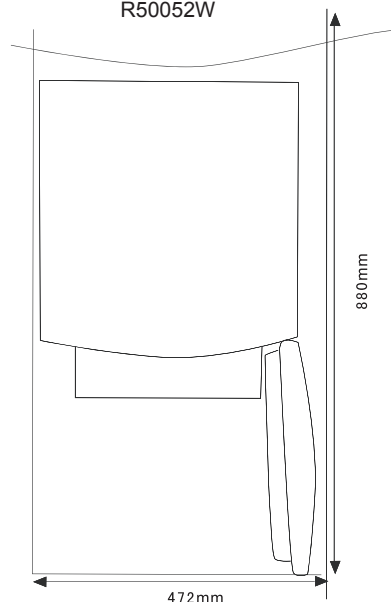
- Before you plug in the appliance, clean thoroughly the inside, and any accessories with warm water and bicarbonate of soda (0.5ml to 0.5 litres) and dry with a soft cloth.
- Leave the appliance to stand for 2 - 3 hours to allow the refrigerant to settle following installation and cleaning.

If the appliance has been transported horizontally, it must be left to stand vertically for 12 hours before installation.

- Once dry, plug the appliance into the socket.
- Turn the thermostat to the required setting - a medium setting is usually suitable.
- Leave the appliance for at least 4 hours before storing any food inside to allow a sufficient temperature to be reached.



Total space required in use  
R50052W



## About the thermostat

- The thermostat is located in the upper right part of the appliance.
- To reduce the temperature inside the appliance, turn the thermostat towards 6 maximum.
- To increase the temperature inside the appliance turn the thermostat towards 1 minimum.
- Depending on the ambient temperature of the room the appliance is in, you may need to adjust the thermostat accordingly.

<b>CONDITION/REASON:</b>	<b>SETTING ADJUSTMENT:</b>
<b>REFRIGERATOR too cold</b> Not set correctly for your conditions	Adjust TEMPERATURE Control one setting lower
<b>REFRIGERATOR too warm</b> Door opened often, large amount of food added or room temperature very warm	Adjust TEMPERATURE Control one setting higher
<b>FREEZER too cold</b> Not set correctly for your conditions	Adjust TEMPERATURE Control one setting lower
<b>FREEZER too warm/too little ice</b> Door opened often, or large amount of food added or very cold room temperature (can't cycle often enough) or heavy ice usage	Adjust TEMPERATURE Control one setting higher



---

## **Tips for using this appliance**

- Before storing cooked foods in the refrigerator, allow them to cool to room temperature.
- To maintain adequate air circulation, do not over fill the appliance. If there is too much food inside, the compressor does not work as effectively.
- Do not open the door any more than necessary - this will keep the temperature as cold as possible inside.
- Ices and water ices should not be consumed straight from the freezer - this can cause ice burns to the tongue and hands.
- Never touch the inside of the appliance, or any frozen items with wet hands. This can cause injury to your hands if they stick to cold surfaces.
- Wrap or cover foods well before storing. Always make sure that any packaging is air tight and suitable for use inside a fridge or freezer.
- Cooked meats and raw meats should be stored on separate shelves, and raw meat should not be allowed to drip onto other foods.  
should not be in direct contact with already frozen food.
- You may hear gurgling noises or a humming sound while the appliance is in use and this is perfectly normal when the compressor is running and the coolant is moving through the system.
- A clicking sound may be heard, this is the thermostat and is normal.
- This appliance is designed to operate in an ambient temperature between 16 and 38 °C.
- Effervescent (fizzy) drinks should not be stored in the freezer or low temperature compartments.
- Do not exceed the storage times recommended by the food manufacturer and always check expiry dates.
- Do not wash shelf retention in hot water.

## **The drainage channel**

The drainage channel collects water on the back wall of the refrigerator and ensures that it is drained away into a drip tray at the rear of the appliance.

## **Before cleaning your appliance**

You should always unplug this appliance before cleaning.

### **To clean your appliance**

- Clean the inside of the cabinet with warm water and a neutral detergent, do not use harsh abrasives or caustic cleaners.
- Dry the inside of the cabinet with a soft, dry cloth. Always make sure the inside of the appliance is dry after cleaning.
- Avoid getting water into the electric components of the appliance (i.e. the thermostat), or spilling water on the fridge.
- When cleaning the door seals, use only warm soapy water. Please use a mild soap and avoid damaging the door seal as this will affect the performance of your appliance.
- Clean the outside of the appliance with warm, soapy water and dry with a soft cloth. Any accumulation of dirt and dust should be removed from the back and bottom of the appliance to maintain adequate ventilation.
- If the appliance is not in use for a long period of time, you should clean the appliance as detailed. Make sure that it is dry, then unplug and leave the door open to prevent unpleasant smells inside.

**Please note:** Regular turning off may shorten the life of this appliance.

Before calling Lec Customer Care, please check the table below to see if the problem can be solved without calling for a Service engineer.

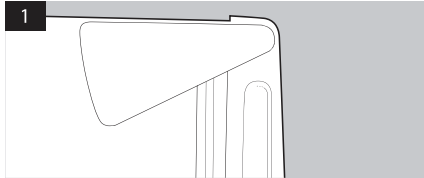
Problem	Solution
The fridge / freezer doesn't work	<ul style="list-style-type: none"> <li>● Check that the appliance is switched on</li> <li>● Check that the plug is not damaged</li> <li>● Check that the fuse has not blown</li> <li>● Check that the voltage is correct for the appliance</li> <li>● Turn the thermostat up higher</li> <li>● Check there has not been a power cut by checking the household lights.</li> </ul>
Unusual noises	<ul style="list-style-type: none"> <li>● Check that the appliance is on a flat, level surface and is stable.</li> <li>● Check that nothing is coming into contact with the appliance.</li> </ul>
The temperature inside the fridge / freezer is not cold enough.	<ul style="list-style-type: none"> <li>● Check that there is not too much stored in the appliance.</li> <li>● Check the frequency of door openings. If opened too often this can cause the compressor to run for some time.</li> <li>● Check that the thermostat is set to a suitable temperature.</li> <li>● Check that the appliance is not in direct sunlight, or near a heating source.</li> <li>● Check that the ventilation grille has not become blocked.</li> <li>● Check the ambient temperature is within the operation limits of the appliance (16°C - 38°C)</li> </ul>
The temperature inside the appliance is too cold	<ul style="list-style-type: none"> <li>● Change the temperature setting to a more suitable setting.</li> </ul>
The outer surfaces of the fridge / freezer are wet	<ul style="list-style-type: none"> <li>● Caused by condensation - dry the outer of the appliance carefully.</li> </ul>
The inner surfaces of the fridge / freezer are wet	<ul style="list-style-type: none"> <li>● The door is opened frequently, or kept open too long.</li> <li>● Caused by condensation - dry the inside of the appliance thoroughly.</li> </ul>
Excess frost and ice has built up inside the appliance.	<ul style="list-style-type: none"> <li>● Check that the door has not been left open.</li> <li>● Check that the door gasket is clean and undamaged.</li> </ul>

**Please note:** Any damage caused by not following the instructions within this handbook may lead to a charge for a service engineer visit and any repairs carried out.

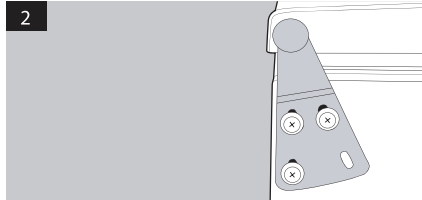
# Reversing The Door

## Reversing the door

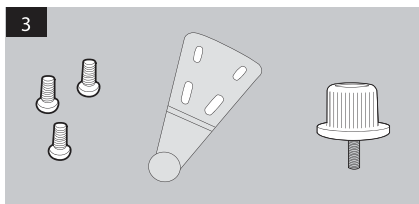
For: The doors on the R50052W



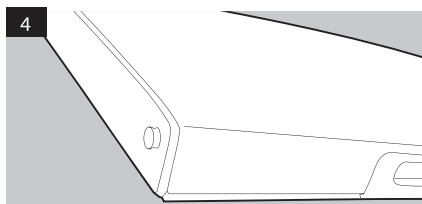
1. Remove the plastic covering from the bottom door hinge.



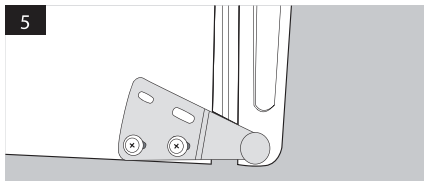
2. Unscrew the three screws from the bottom bracket. Remove the foot from opposite side.



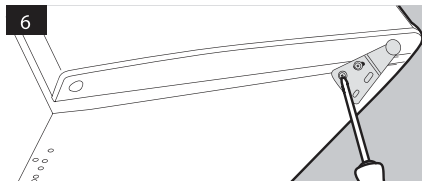
3. Place to one side.



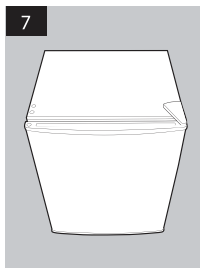
4. Slide the Appliance door down about 15cm [6"] and off the Top hinge pin and lift away from the Appliance.



5. Remove the two screws from top bracket and replace on the other side. You will need to first remove the plastic caps from the other side.



6. Slide the Appliance door back on to the Top hinge, making sure it's the right way up. Screw the bottom hinge into place on the new side. Replace the other foot on the other side. Replace the plastic covering by clicking back into position on the door hinge.



7. Check that the door is aligned horizontally and vertically and that the seals are closed on all sides before finally tightening the bottom hinge. Re-adjust the levelling feet.

Any electrical work required to install this appliance should be carried out by a qualified electrician or competent person. This appliance must be earthed. The manufacturer declines any liability should these safety measures not be observed.


## Electrical Requirements

Before switching on, make sure the electricity supply voltage is the same as that indicated on the appliance rating plate. The appliance is supplied with a 13 amp plug fitted. In the event of having to change the fuse in the plug supplied, a 13 amp ASTA approved (BS 1362) fuse must be used. Should the plug need to be replaced for any reason. The wires in the mains lead are coloured in accordance with the following code:

Green and Yellow: Earth

Blue: Neutral

Brown: Live

The wire coloured green and yellow must be connected to the terminal marked with the letter "E" or by the earth symbol  or coloured green and yellow. The wire coloured blue must be connected to the terminal "N". The wire coloured brown must be connected to the terminal marked "L".

Upon completion there must be no cut, or stray strands of wire present and the cord clamp must be secure over the outer sheath.

## Important!

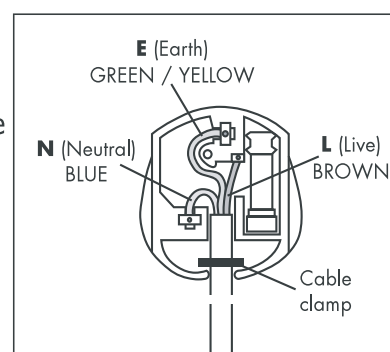
The plug must still be accessible after the appliance has been installed. The appliance should not be connected to the electrical supply by means of an extension cable. In case that the electrical cable has to be replaced, please contact the Customer Care Centre and arrange a service engineers visit.

Warning!

A cut off plug inserted into a 13 amp socket is a serious safety (shock) hazard. Ensure that it is disposed of safely.

This appliance complies with the following E.E.C. Directives: 2006/95/EC (Low Voltage Directive) and subsequent modifications, 2004/108/EC (Electromagnetic Compatibility Directive) and subsequent modifications.

**Note:** Figures in the user manual are only for reference. The actual product may differ slightly.



The wires in the mains lead are coloured in accordance with the following code:

Green and Yellow = Earth

Blue = Neutral

Brown = Live

# Service Record

Please record your model number and serial number in the space below. Having these numbers to hand will help us to help you, quickly and more efficiently.

When contacting us, please use the Customer Care number on the back cover of this handbook

Model Number										
Serial Number										

Date of purchase	Installers stamp / Printed name	Date of installation
Place of purchase:		

Date	Part(s) replaced	Engineers Stamp/ Printed Name



Lec Refrigeration

Stoney Lane, Prescott, Merseyside, L35 2XW

Customer Care Centre: 0844 815 3737

[www.lec.co.uk](http://www.lec.co.uk)

Lec Refrigeration, a division of Glen Dimplex Home Appliances