

COMBI REFRIGERATOR
Fridge - Freezer
Instruction Booklet

TFL55148

Index

BEFORE USING THE APPLIANCE	3
General warnings	3
Old and out-of-order fridges	5
Safety warnings	5
Installing and operating your fridge	6
Before using your fridge freezer	7
HOW TO OPERATE THE APPLIANCE	7
Thermostat setting	7
Warnings about temperature adjustments	7
Accessories	8
Ice tray	8
Plastic scraper	8
Bottle holder	8
FOOD STORAGE IN THE APPLIANCE	9
Refrigerator compartment	9
Freezer compartment	9
CLEANING AND MAINTENANCE	13
Defrosting	14
Replacing the Light bulb	15
TRANSPORTATION AND CHANGING OF INSTALLATION POSITION	15
Repositioning the door	15
BEFORE CALLING FOR AFTER SALES SERVICE	31
Tips for saving energy	32
PARTS OF THE APPLIANCE AND THE COMPARTMENTS	33

The operating instructions apply to several models. Differences may therefore occur.

PART - 1. BEFORE USING THE APPLIANCE

General warnings

WARNING: Keep ventilation openings, in the appliance enclosure or in the built-in structure, clear of obstruction.

WARNING: Do not use mechanical devices or other means to accelerate the defrosting process, other than those recommended by the manufacturer.

WARNING: Do not use electrical appliances inside the food storage compartments of the appliance, unless they are of the type recommended by the manufacturer.

WARNING: Do not damage the refrigerant circuit.

WARNING: In order to avoid any hazards resulting from the instability of the appliance, it must be fixed in accordance with the following instructions:

- If your appliance uses R600a as a refrigerant (this information will be provided on the label of the cooler) you should take care during transportation and installation to prevent the cooler elements from being damaged. R600a is an environmentally friendly and natural gas, but it is explosive. In the event of a leak due to damage of the cooler elements, move your fridge away from open flames or heat sources and ventilate the room where the appliance is located for a few minutes.
- While carrying and positioning the fridge, do not damage the cooler gas circuit.
- Do not store explosive substances such as aerosol cans with a flammable propellant in this appliance.
- This appliance is intended to be used in household and domestic applications.

- If the socket does not match the refrigerator plug, it must be replaced by the manufacturer, a service agent or similarly qualified persons in order to avoid a hazard.
- A specially grounded plug has been connected to the power cable of your refrigerator. This plug should be used with a specially grounded socket of 13 amperes. If there is no such socket in your house, please have one installed by an authorised electrician.
- This appliance can be used by children aged from 8 years and above and persons with reduced physical, sensory or mental capabilities or lack of experience and knowledge if they have been given supervision or instruction concerning use of the appliance in a safe way and understand the hazards involved. Children shall not play with the appliance. Cleaning and user maintenance shall not be made by children without supervision.
- If the supply cord is damaged, it must be replaced by the manufacturer, an authorised service agent or similar qualified persons, in order to avoid a hazard.
- This appliance is not intended for use at altitudes exceeding 2000 m.

Old and out-of-order fridges

- If your old fridge has a lock, break or remove the lock before discarding it, because children may get trapped inside it and may cause an accident.
- Old fridges and freezers may contain isolation material and refrigerant with CFC or HFC.



Therefore, take care not to harm environment when you are discarding your old fridges.

Please ask your municipal authority about the disposal of the WEEE reuse, recycle and recovery purposes.

Notes:

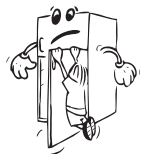
- Please read the instruction manual carefully before installing and using your appliance.
We are not responsible for the damage occurred due to misuse.
- Follow all instructions on your appliance and instruction manual, and keep this manual in a safe place to resolve the problems that may occur in the future.
- This appliance is produced to be used in homes and it can only be used in domestic environments and for the specified purposes. It is not suitable for commercial or common use. Such use will cause the guarantee of the appliance to be cancelled and our company will not be responsible for losses incurred.
- This appliance is produced to be used in houses and it is only suitable for cooling / storing food. It is not suitable for commercial or common use and/or for storing substances except for food. Our company is not responsible for losses to be incurred in the contrary case.

Safety warnings

- Do not connect your fridge freezer to the mains electricity supply using an extension lead.
- Do not plug in damaged, torn or old plugs.
- Do not pull, bend or damage the cord.



- This appliance is designed for use by adults, do not allow children to play with the appliance or let them hang off the door.
- Never touch the power cord/plug with wet hands as this could cause a short circuit or electric shock.
- Do not place glass bottles or beverage cans in the ice-making compartment as they can burst as the contents freeze.
- Do not place explosive or flammable material in your fridge. Place drinks with high alcohol content vertically in the fridge compartment and make sure that their tops are tightly closed.
- When removing ice from the ice-making compartment, do not touch it. Ice may cause frost burns and/or cuts.
- Do not touch frozen goods with wet hands! Do not eat ice-cream and ice cubes immediately after you have taken them out of the freezer department!

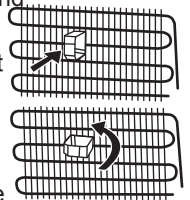


- Do not touch frozen goods with wet hands. Do not eat ice-cream or ice cubes immediately after you have taken them out of the ice-making compartment.
- Do not cover the body or top of fridge with lace. This affects the performance of your fridge.
- Secure any accessories in the fridge during transportation to prevent damage to the accessories.

Installing and operating your fridge

Before starting to use your fridge freezer, you should pay attention to the following points:

- The operating voltage for your fridge is 220-240 V at 50Hz.
- The plug must be accessible after installation.
- Your fridge freezer may have a smell when it is operated for the first time. This is normal and the smell will fade away when your fridge freezer starts to cool.
- Before connecting your fridge freezer, ensure that the information on the data plate (voltage and connected load) matches that of the mains electricity supply. If in doubt, consult a qualified electrician.
- Insert the plug into a socket with an efficient ground connection. If the socket has no ground contact or the plug does not match, we recommend that you consult a qualified electrician for assistance.
- The appliance must be connected with a properly installed fused socket. Power supply (AC) and voltage at the operating point must match with the details on the name plate of the appliance (name plate is located on the inside left of the appliance).
- We do not accept responsibility for any damages that occur due to ungrounded usage.
- Place your fridge where it will not be exposed to direct sunlight.
- Your fridge should never be used outdoors or exposed to rain.
- Your fridge freezer is not suitable for use in an out-house, shed, garage or room in which the temperature can go below the recommended climate.
- Your appliance should be at least 50 cm away from stoves, gas ovens and heater cores, and at least 5 cm away from electrical ovens.
- When your fridge is placed next to a deep freezer, there should be at least 2 cm between them to prevent humidity forming on the outer surface.
- Do not place heavy items on the appliance.
- Clean the appliance thoroughly, especially the interior, before use (see Cleaning and Maintenance).
- The installation procedure into the kitchen unit is given in the installation manual. This product is intended to be used in proper kitchen units only.
- Before using your fridge freezer, wipe all parts with a solution of warm water and a teaspoon of sodium bicarbonate, then rinse with clean water and dry. Place all parts in the fridge after cleaning.
- Install the plastic distance guide (the part with black vanes at the rear) by turning it 90° (as shown in the figure) to prevent the condenser from touching the wall.



Before using your fridge freezer

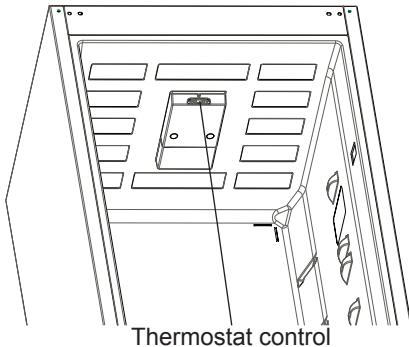


- When using your fridge freezer for the first time, or after transportation, keep it in an upright position for at least 3 hours before plugging into the mains. This allows efficient operation and prevents damage to the compressor.
- Your fridge freezer may have a smell when it is operated for the first time. This is normal and the smell will fade away when your fridge starts to cool.

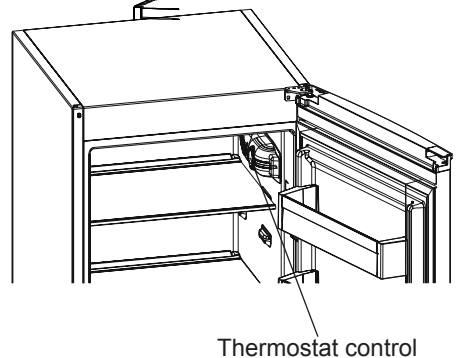
PART - 2. HOW TO OPERATE THE APPLIANCE

Thermostat setting

When lighting and thermostat are positioned on top



When lighting and thermostat are positioned on side



The fridge freezer thermostat automatically regulates the inside temperature of the compartments. By rotating the knob from position 1 to 5, colder temperatures can be obtained.

Thermostat setting;

To reduce the temperature inside of the appliance, turn the thermostat towards 5 maximum.

To increase the temperature inside of the appliance, turn the thermostat towards 1 minimum.

Depending on the ambient temperature of the room the appliance is in, you will need to adjust the thermostat accordingly.

In summer months the thermostat may need to be set at a lower temperature.

Warnings about temperature adjustments

- Temperature adjustments should be made according to the frequency of door openings and the quantity of food kept inside the fridge.
- Your fridge should be operated up to 24 hours according to the ambient temperature without interruption after being plugged in to be completely cooled. Do not open doors of your fridge frequently and do not place much food inside it in this period.
- A 5 minute delaying function is applied to prevent damage to the compressor of your

fridge, when you take the plug out and then plug it in again to operate it or when an energy breakdown occurs. Your fridge will start to operate normally after 5 minutes.

- Your fridge is designed to operate in the ambient temperature intervals stated in the standards, according to the climate class stated in the information label. We do not recommend operating your fridge out of stated temperatures value limits in terms of cooling effectiveness.

- This appliance is designed for use at an ambient temperature within the 16°C - 38°C range.

Climate class	Ambient temperature (°C)
T	Between 16 and 43 °C
ST	Between 16 and 38 °C
N	Between 16 and 32 °C
SN	Between 10 and 32 °C

Accessories

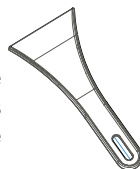
Ice tray

- Fill the ice tray with water and place in freezer compartment.
- After the water completely turned into ice, you can twist the tray as shown below to get the ice cube.



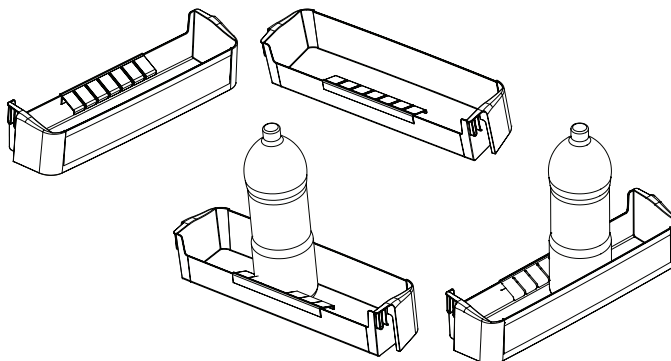
Plastic scraper

After a period of time frost will build up in certain areas in the freezer compartment. The frost accumulated in the freezer should be removed periodically. Use the plastic scraper provided if necessary. Do not use sharp metal objects for this operation. They could puncture the refrigerator circuit and cause irreparable damage to the unit.



Bottle holder (Only some models)

In order to prevent bottles from slipping or falling over, you can use the bottle holder. This will also help to prevent the noise made by bottles when opening or closing the door.



All written and visual descriptions in the accessories may vary according to the appliance model.

PART - 3. FOOD STORAGE IN THE APPLIANCE

Refrigerator compartment

The refrigerator compartment is used for storing fresh food for a few days.

- Do not place food in direct contact with the rear wall of the refrigerator compartment. Leave some space around food to allow circulation of air.
- Do not place hot food or evaporating liquid in the refrigerator.
- Always store food in closed containers or wrapped.
- To reduce humidity and avoid formation of frost, never place liquids in unsealed containers in the refrigerator.
- Meat of all types, wrapped in packages, is recommended to be placed on the glass shelf just above the vegetable bin, where the air is colder.
- You can put fruit and vegetables into the crisper without packaging.
- To avoid cold air escaping, try not to open the door too often, and not leave the door open for a long time.

Some recommendations have been specified below for the placement and storage of your food in the cooling compartment.

Food	Maximum Storing time	Where to place in the fridge department
Vegetables and fruits	1 week	Vegetable bin
Meat and fis	2 - 3 Days	Wrapped in plastic foil or bags or in a meat container (on the glass shelf)
Fresh cheese	3 - 4 Days	In special door shelf
Butter and margarine	1 week	In special door shelf
Bottled products milk and yoghurt	Until the expiry date recommended by the producer	In special door shelf
Eggs	1 month	In the egg shelf
Cooked food		All shelves

NOTE: Potatoes, onions and garlic should not be stored in the refrigerator.

Freezer compartment

The freezer compartment is used for freezing fresh food and for storing frozen food for the period of time indicated on packaging, and for making ice cubes.

- When freezing fresh food, wrap and seal the food properly; the packaging should be air tight and shouldn't leak. Special freezer bags, aluminum foil (heavy grade, if in doubt double wrap), polythene bags and plastic containers are ideal.
- To get maximum capacity for freezer compartment, please just use glass shelves for upper and middle section. For bottom section, please use lower basket.
- The maximum amount of fresh foods that can be loaded in the freezer within 24 hours is indicated on the name plate (see Freezing Capacity).

- For optimum appliance performance to reach maximum freezing capacity, set the refrigerator thermostat at 4 - 5 for 24 hours before placing fresh food into the freezer.
- After placing fresh food into the freezer, change the setting to 4 - 5 for 24 hours is generally sufficient. After 24 hours, you can reduce the setting if required.
- Do not allow the fresh food to be frozen to come into contact with the already frozen food.
- Always mark the date and the content on the pack and do not exceed the stated storage time.
- In case of a power failure or malfunction, the freezer compartment will maintain a sufficiently low temperature for food storage. However, avoid opening the freezer door to slow down the temperature rise within the freezer compartment.
- Never place warm food in the freezer compartment.
- When purchasing and storing frozen food products, ensure that the packaging is not damaged.
- The storage time and the recommended temperature for storing frozen food is indicated on the packaging. For storing and using, follow the manufacturer's instructions. If no information is provided, food should not be stored for more than 3 months.
- Place frozen food in the freezer compartment as soon as possible after buying it.
- Once the food has thawed, it must not be refrozen; you must cook it as quickly as possible in order to consume or to freeze once again.
- Not that; if you want to open again immediately after closing the freezer door, it will not be opened easily. It's quite normal! After reaching equilibrium condition, the door will be opened easily.

Important note:

- Frozen foods, when thawed, should be cooked just like fresh foods. If they are not cooked after being thawed they must NEVER be re-frozen.
- The taste of some spices found in cooked dishes (anise, basilica, watercress, vinegar, assorted spices, ginger, garlic, onion, mustard, thyme, marjoram, black pepper, etc.) changes and they assume a strong taste when they are stored for a long period. Therefore, the frozen food should be added little amount of spices or the desired spice should be added after the food has been thawed.
- The storage period of food is dependent on the oil used. The suitable oils are margarine, calf fat, olive oil and butter and the unsuitable oils are peanut oil and pig fat.
- The food in liquid form should be frozen in plastic cups and the other food should be frozen in plastic folios or bags.

Some recommendations have been specified on pages 11, 12 and 13 for the placement and storage of your food in the deep freeze compartment.

Meat and fis	Preparation	Maximum Storing time (month)
Steak	Wrapping in a foil	6 - 8
Lamb meat	Wrapping in a foil	6 - 8
Veal roast	Wrapping in a foil	6 - 8
Veal cubes	In small pieces	6 - 8
Lamb cubes	In pieces	4 - 8
Minced meat	In packages without using spices	1 - 3
Giblets (pieces)	In pieces	1 - 3
Bologna sausage/salami	Should be packaged even if it has membrane	
Chicken and turkey	Wrapping in a foil	4 - 6
Goose and Duck	Wrapping in a foil	4 - 6
Deer, Rabbit, Wild Boar	In 2.5 kg portions and as fillets	6 - 8
Freshwater fishes (Salmon, Carp, Crane, Siluroidea)	After cleaning the bowels and scales of the fish, wash and dry it; and if necessary, cut the tail and head.	2
Lean fish; bass, turbot, flounde		4
Fatty fishes (unny, Mackarel, bluefish, anchovy)		2 - 4
Shellfis	Cleaned and in bags	4 - 6
Caviar	In its package, aluminium or plastic container	2 - 3
Snail	In salty water, aluminum or plastic container	3

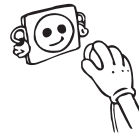
Note: *Frozen meat should be cooked as fresh meat after being thawed. If the meat is not cooked after being thawed, it should never be frozen again.*

Vegetables and Fruits	Preparation	Maximum Storing time (months)
String beans and beans	Wash and cut to small pieces and boil in water	10 - 13
Beans	Hull and wash and boil in water	12
Cabbage	Cleaned and boil in water	6 - 8
Carrot	Clean and cut to slices and boil in water	12
Pepper	Cut the stem, cut into two pieces and remove the core and boil in water	8 - 10
Spinach	Washed and boil in water	6 - 9
Cauliflower	Take the leaves apart, cut the heart into pieces, and leave it in water with a little lemon juice for a while	10 - 12
Eggplant	Cut to pieces of 2cm after washing	10 - 12
Corn	Clean and pack with its stem or as sweet corn	12
Apple and pear	Peel and slice	8 - 10
Apricot and Peach	Cut into two pieces and remove the stone	4 - 6
Strawberry and Blackberry	Wash and hull	8 - 12
Cooked fruits	Adding 10 % of sugar in the container	12
Plum, cherry, sourberry	Wash and hull the stems	8 - 12

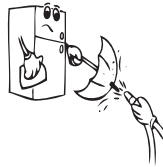
Dairy Products	Preparation	Maximum Storing time (months)	Storing Conditions
Packet (Homogenize) Milk	In its own packet	2 - 3	Pure Milk – In its own packet
Cheese-excluding white cheese	In slices	6 - 8	Original package may be used for short storing period. It should be wrapped in foil for longer periods.
Butter, margarine	In its package	6	

PART - 4. CLEANING AND MAINTENANCE

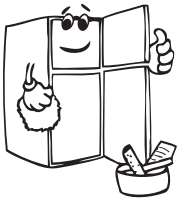
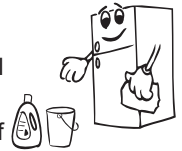
- Disconnect the unit from the power supply before cleaning.



- Do not clean the appliance by pouring water.



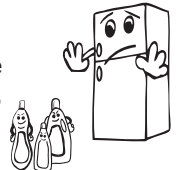
- Make sure that no water enters the lamp housing and other electrical components.
- The refrigerator should be cleaned periodically using a solution of bicarbonate of soda and lukewarm water.



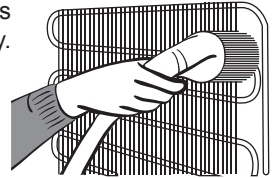
- Clean the accessories separately with soap and water Do not clean them in the dishwasher.



- Do not use abrasive products, detergents or soaps. After washing, rinse with clean water and dry carefully. When you have finished cleaning, reconnect the plug to the mains supply with dry hands.



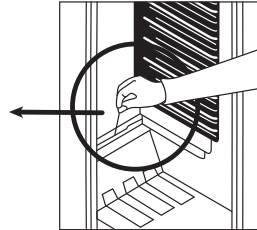
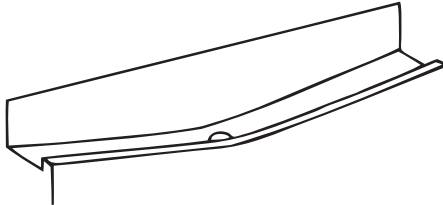
- Clean the condenser with a broom at least twice a year. This will help you to save on energy costs and increase productivity.



THE POWER SUPPLY MUST BE DISCONNECTED.

Defrosting

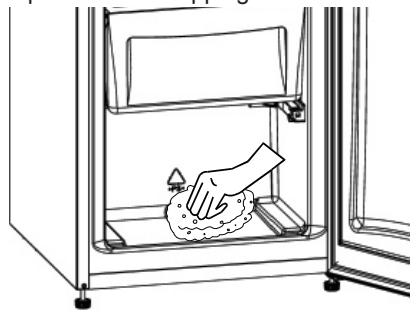
Defrosting the Refrigerator Compartment



- Defrosting occurs automatically in the refrigerator compartment during operation; the water is collected by the evaporation tray and evaporates automatically.
- The evaporation tray and the water drain hole should be cleaned periodically with the defrost drain plug to prevent the water from collecting at the bottom of the refrigerator instead of flowing out.
- You can also clean the drain hole by pouring $\frac{1}{2}$ glass of water down it.

Defrosting the Freezer Compartment

- The frost, which covers the shelves of the freezer compartment, should be removed periodically.
- Do not use sharp metal objects for this operation. They could puncture the refrigerant circuit and cause irreparable damage to the unit. Use the plastic scraper provided.
- When there is more than 5 mm of frost on the shelves, defrosting must be carried out.
- Before defrosting, place the frozen food in a cool place after wrapping it in sheets of newspaper (this will help the food to maintain its temperature for longer).
- To accelerate the defrosting process, place one or more bowls of warm water in the freezer compartment.
- Dry the inside of the compartment with a sponge or a clean cloth.
- Once the unit has been defrosted, place the food into freezer and remember to consume it in a short period of time.

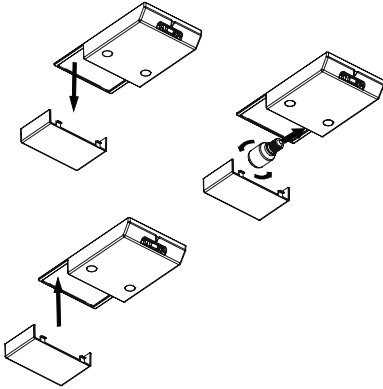


Replacing the Light bulb

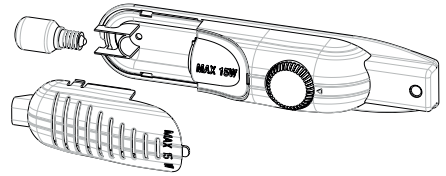
When replacing the bulb of the refrigerator compartment;

1. Unplug the unit from the power supply,
2. Press the hooks on the sides of the light cover top and remove the light cover
3. Change the present light bulb with a new one of not more than 15 W.
4. Replace the light cover and after waiting 5 minutes plug the unit.

When lighting and thermostat are positioned on top



When lighting and thermostat are positioned on side



Replacing LED lighting

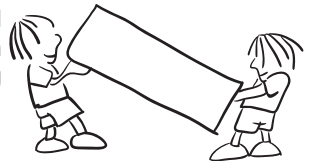
If your refrigerator has LED lighting contact the help desk as this should be changed by authorized personnel only.

PART - 5. TRANSPORTATION AND CHANGING OF INSTALLATION POSITION

Transportation and Changing of Installation Position

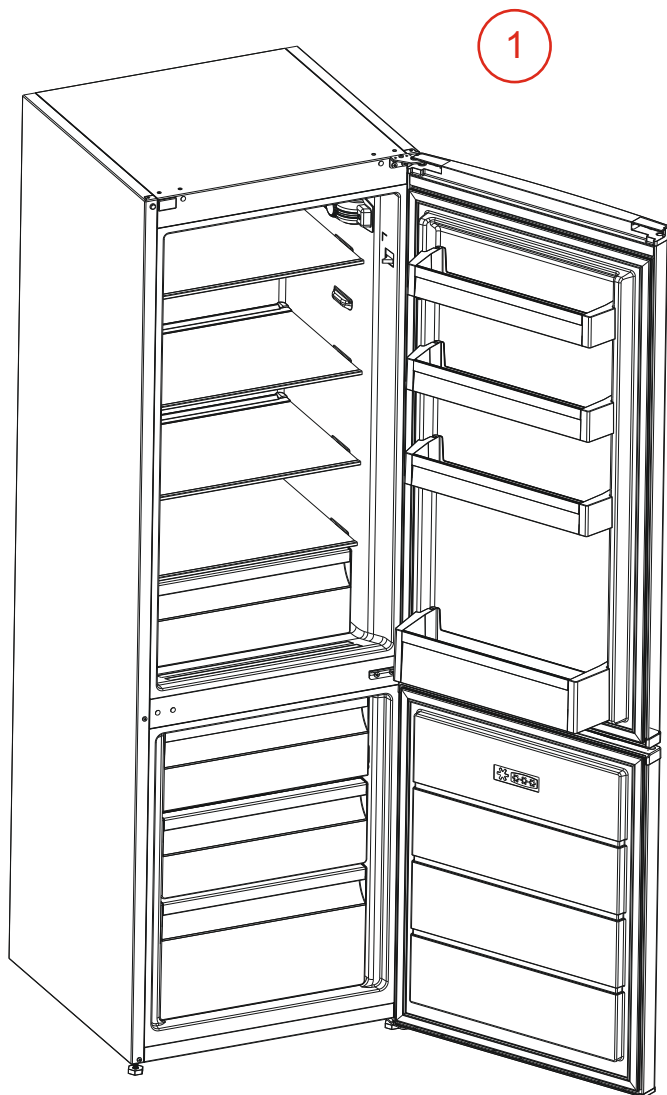
- The original packages and foamed polystyrene (PS) can be retained if required.
- During transportation, the appliance should be secured with a wide string or a strong rope. The instructions written on the corrugated box must be followed while transporting.
- Before transporting or changing the installation position, all the moving objects (ie,shelves,crisper...) should be taken out or fixed with bands in order to prevent them from getting damaged.

! Carry your fridge in the upright position.

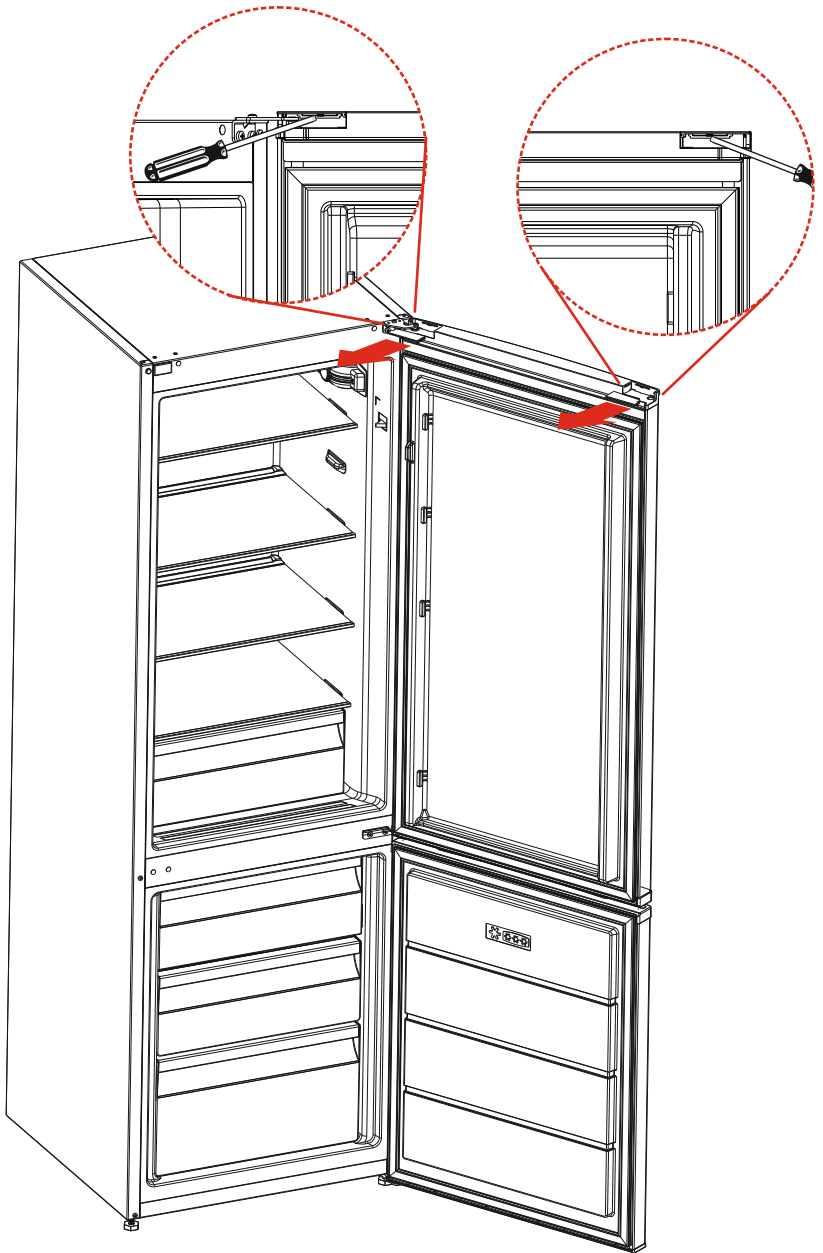


Repositioning the door

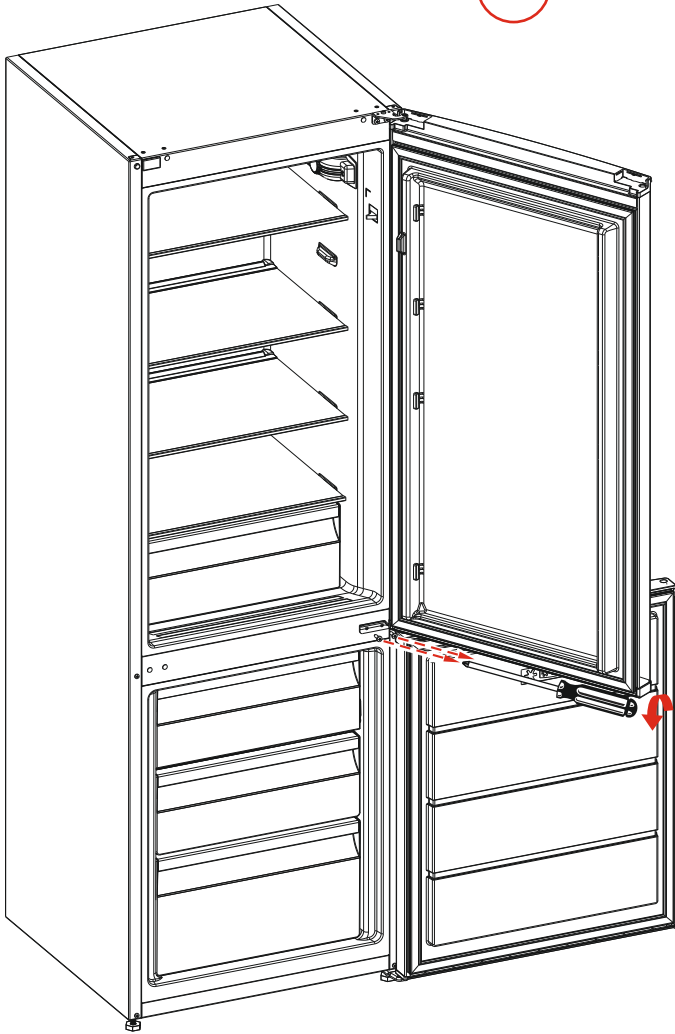
- It is possible to change the opening direction of the door on models. Please refer to the following pages for detailed instructions.
- If the door opening direction of your refrigerator may be changed, you should contact the nearest authorised service agent to have the opening direction changed.



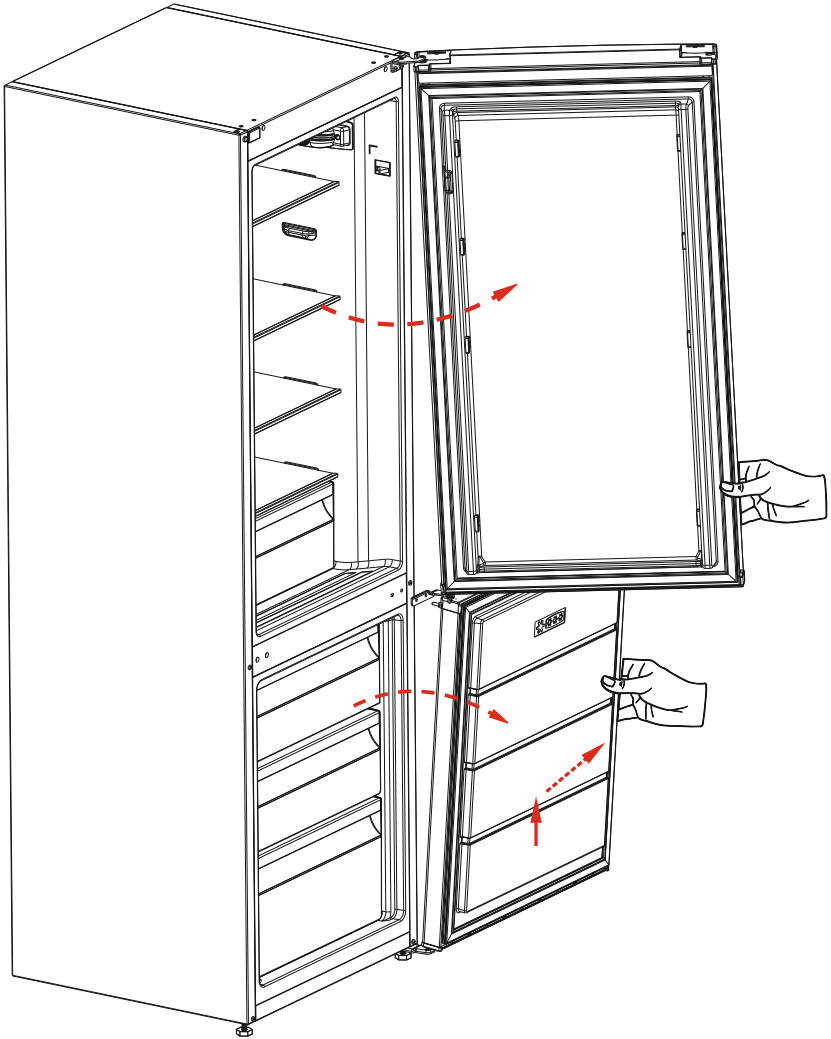
2



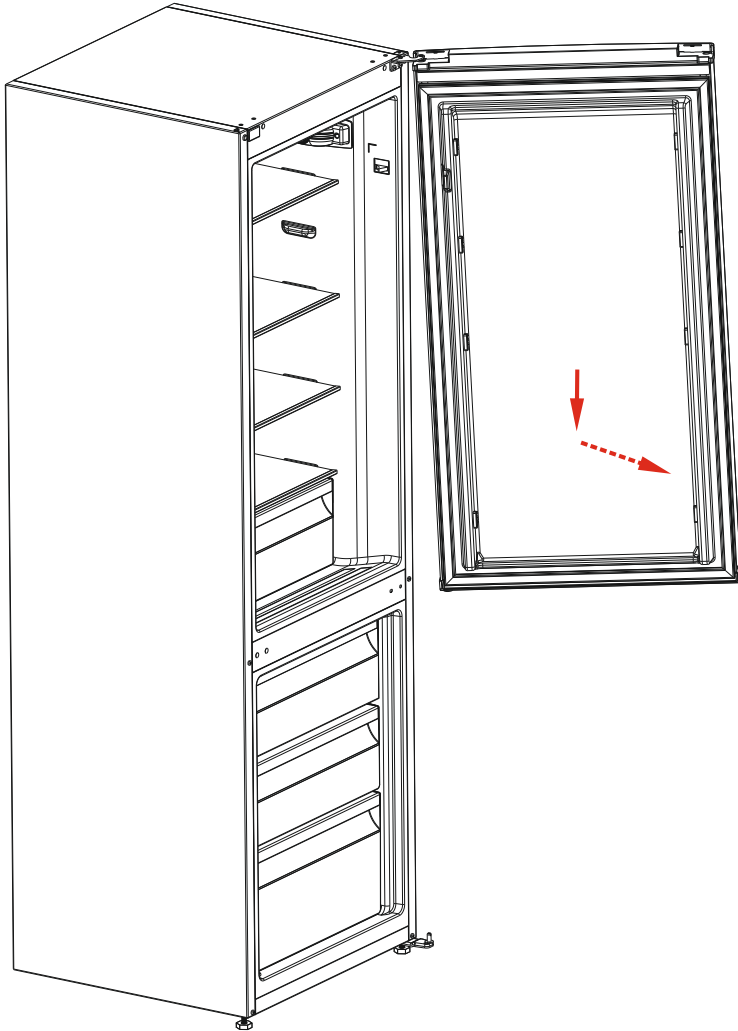
3

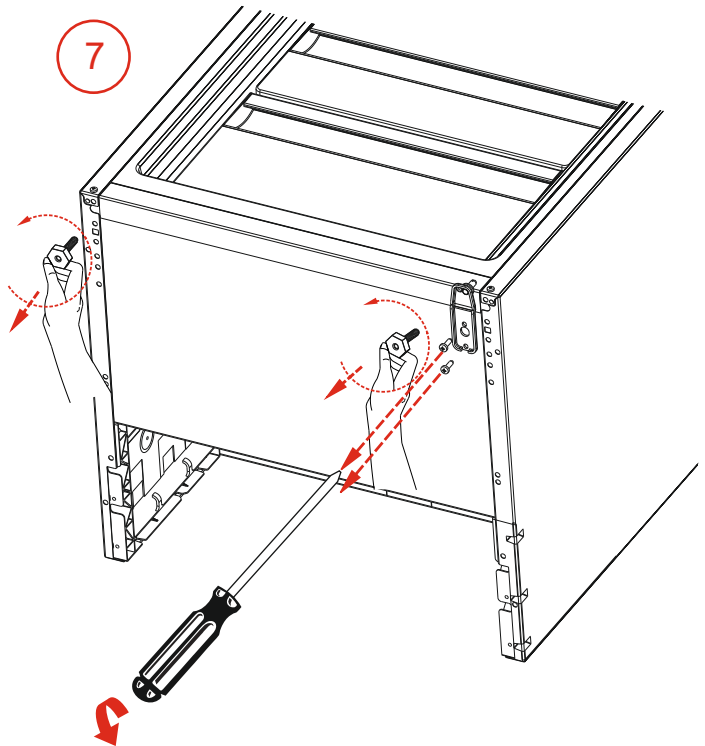
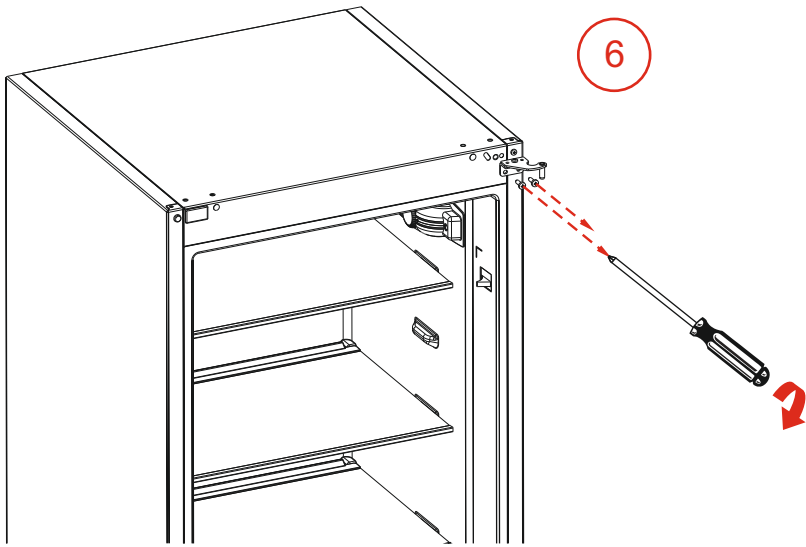


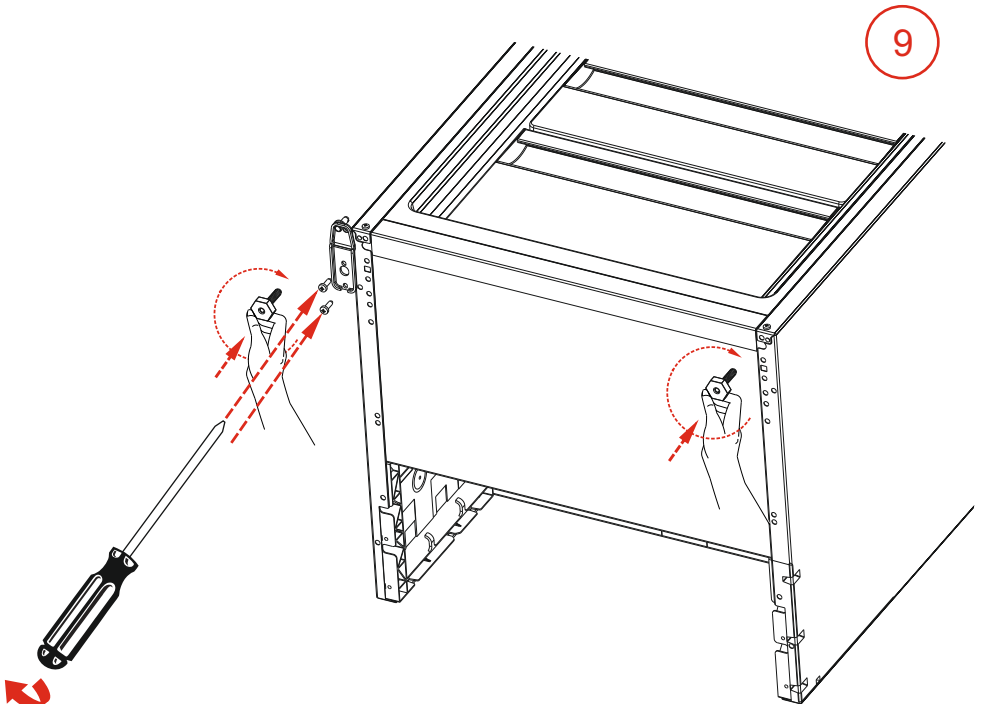
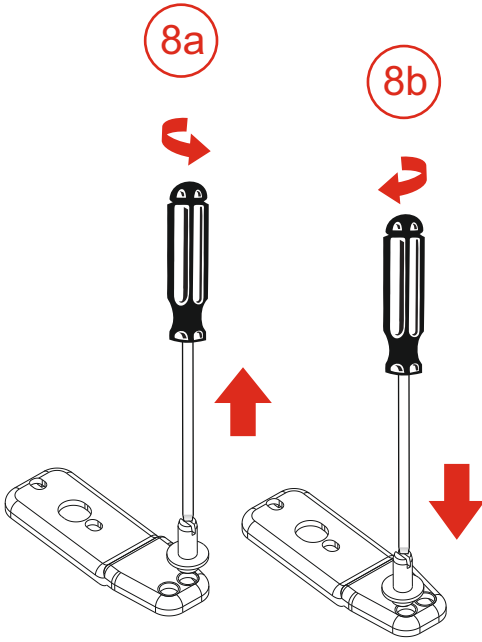
4

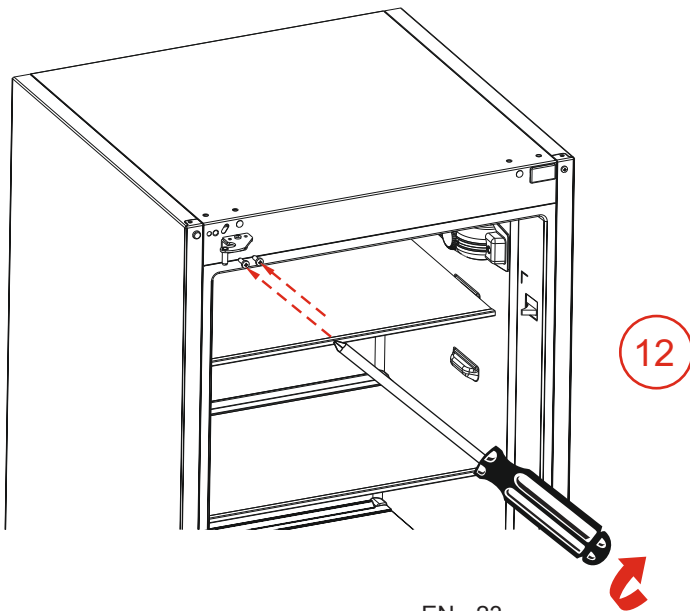
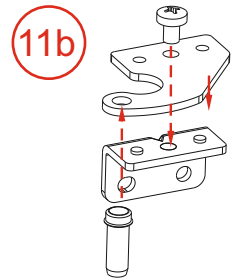
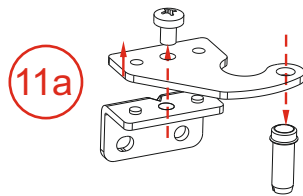
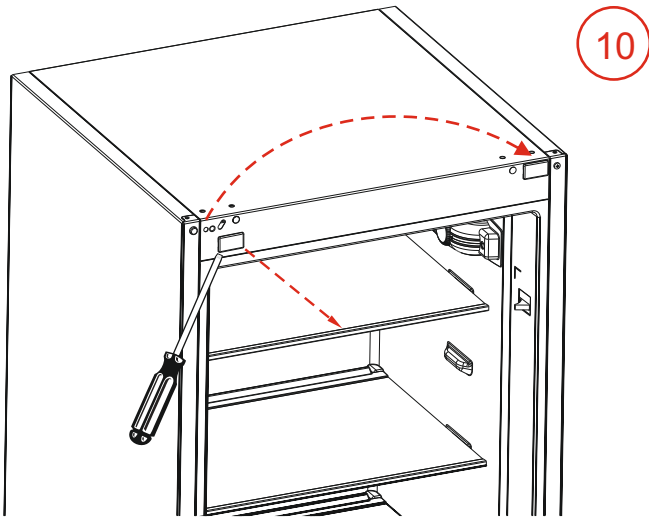


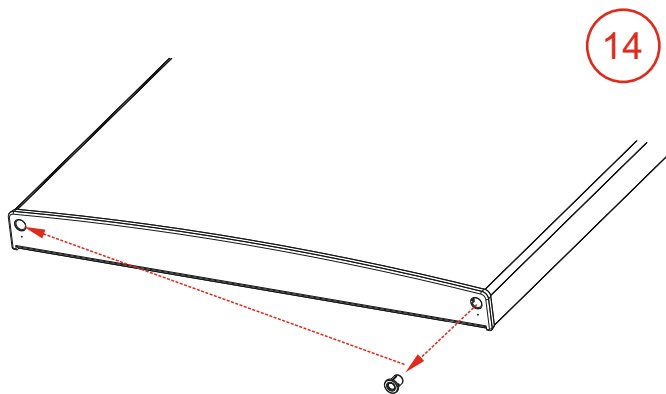
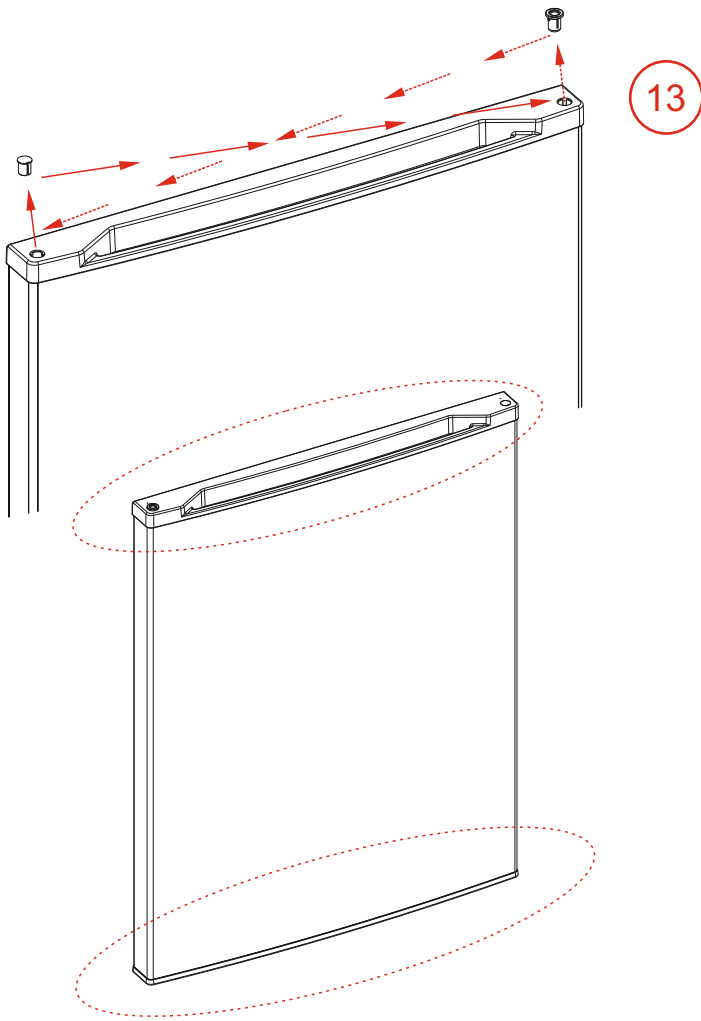
5

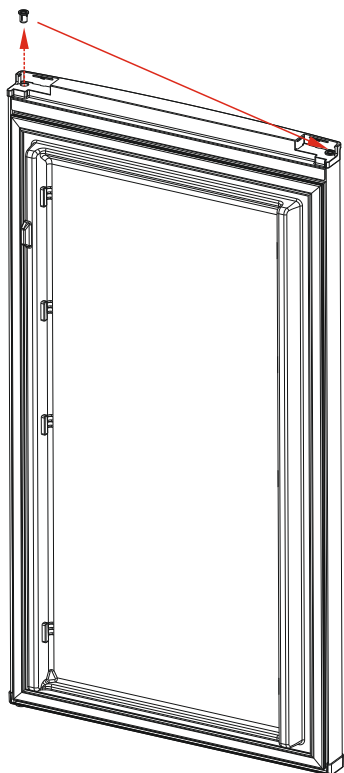




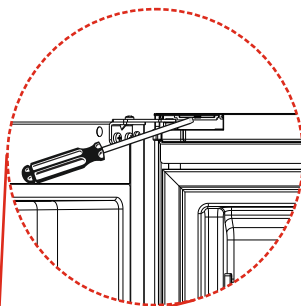




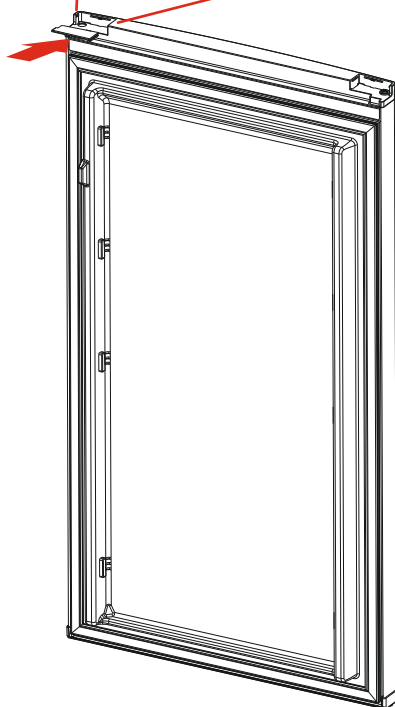


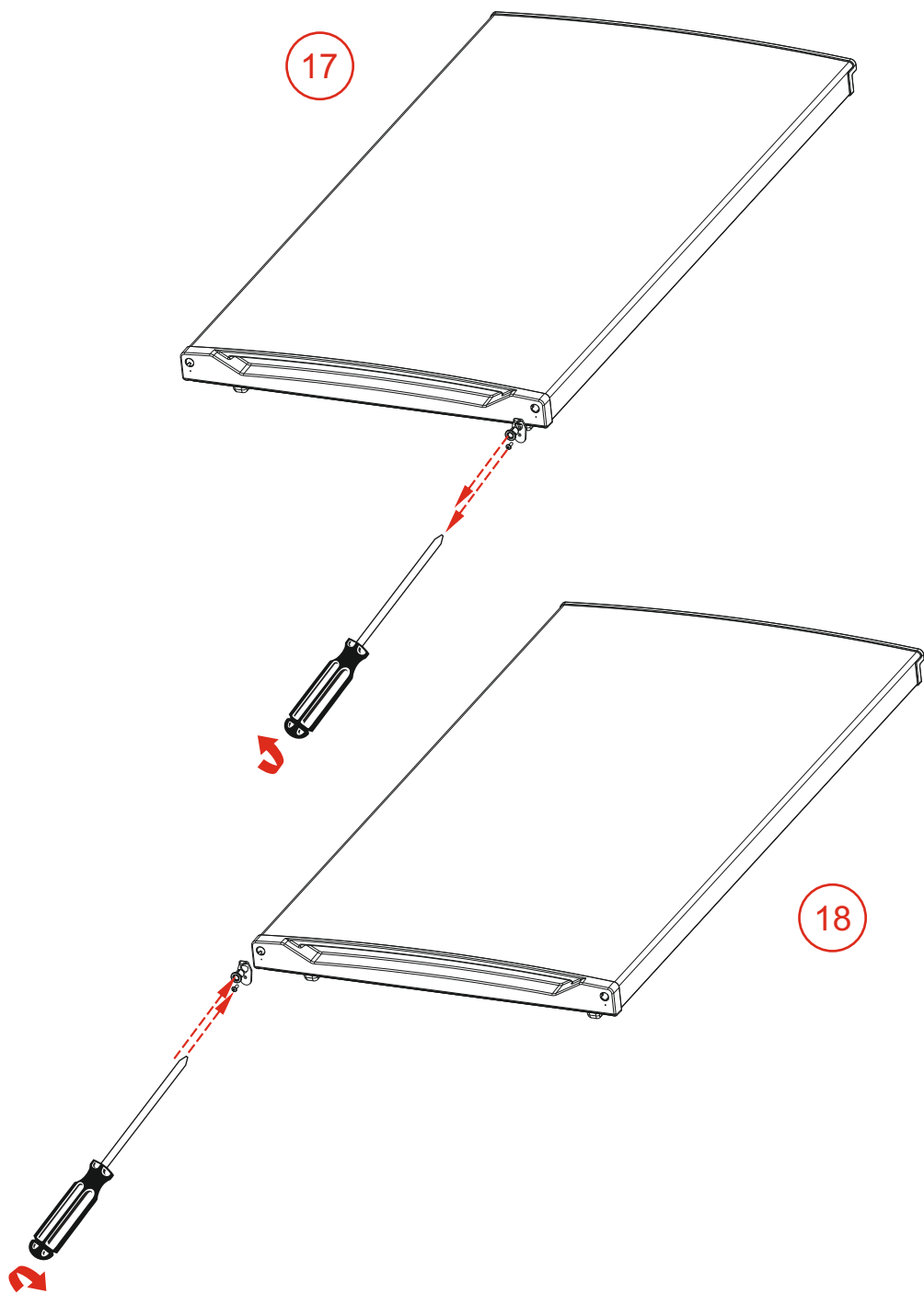


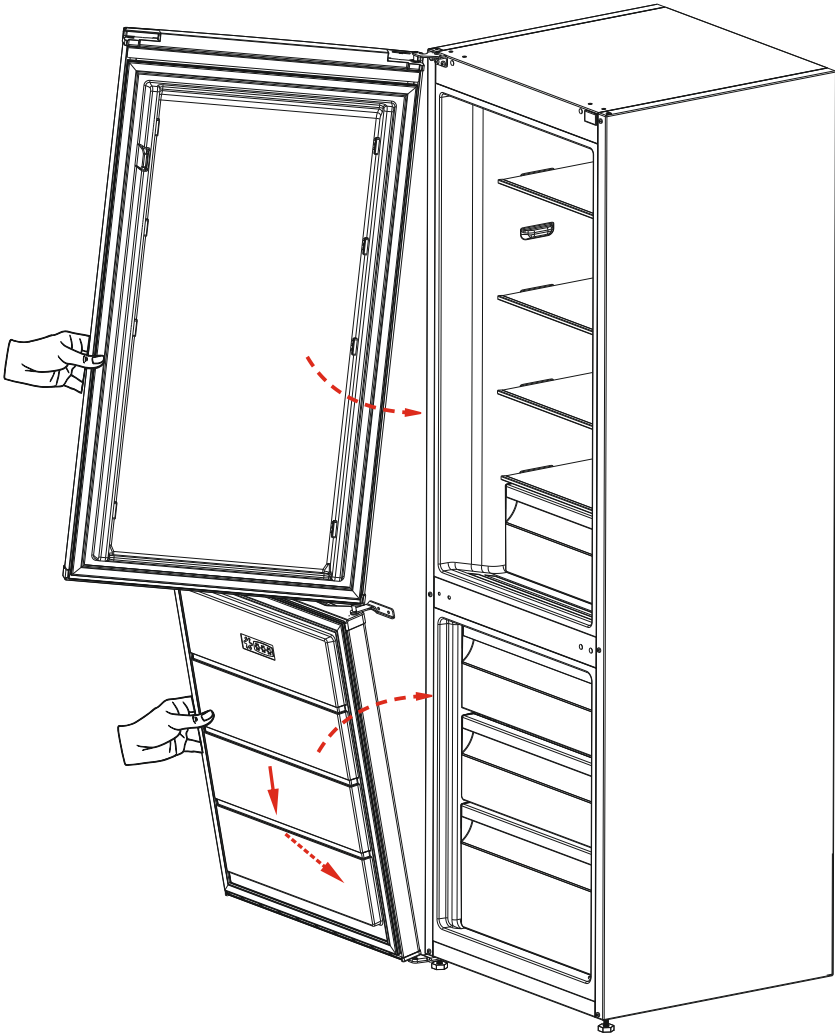
15



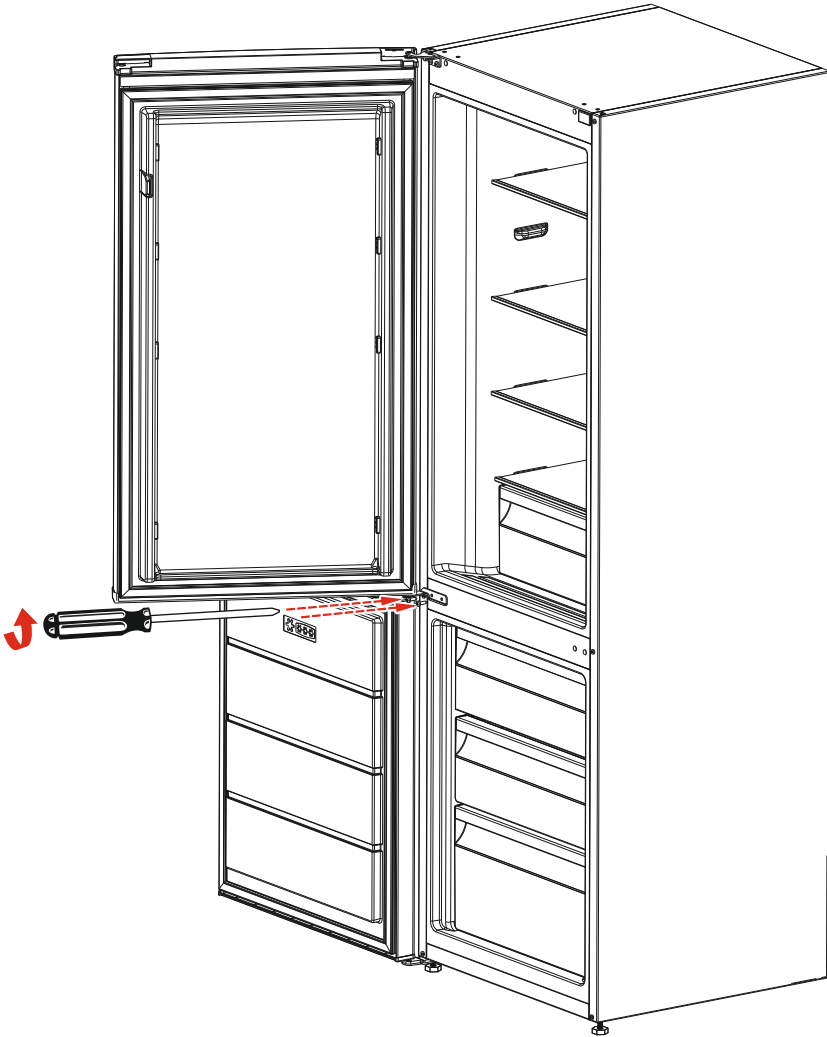
16

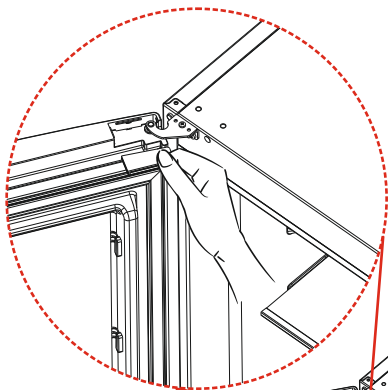




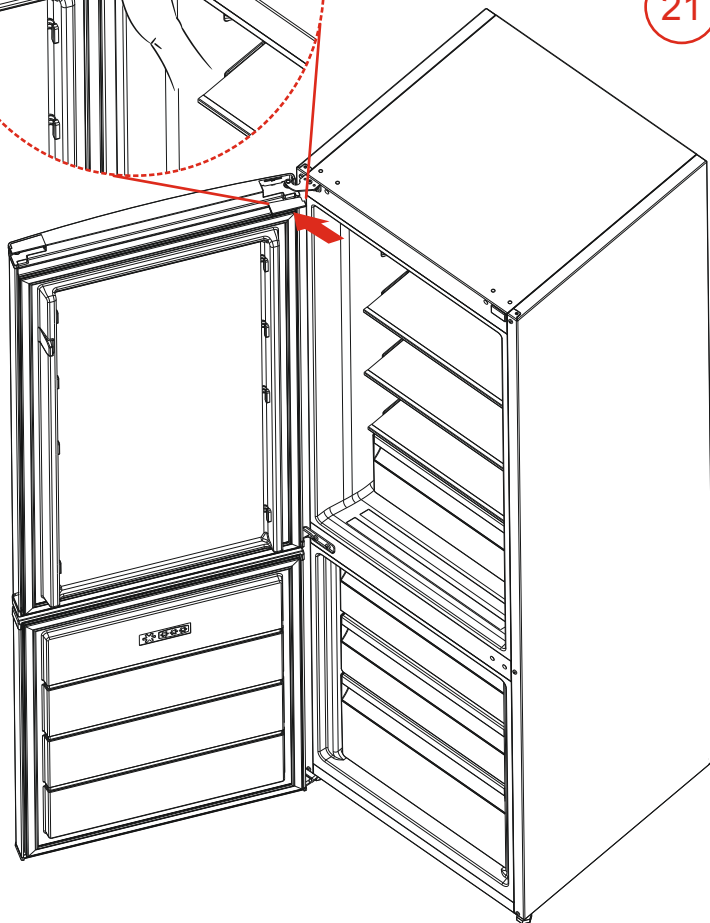


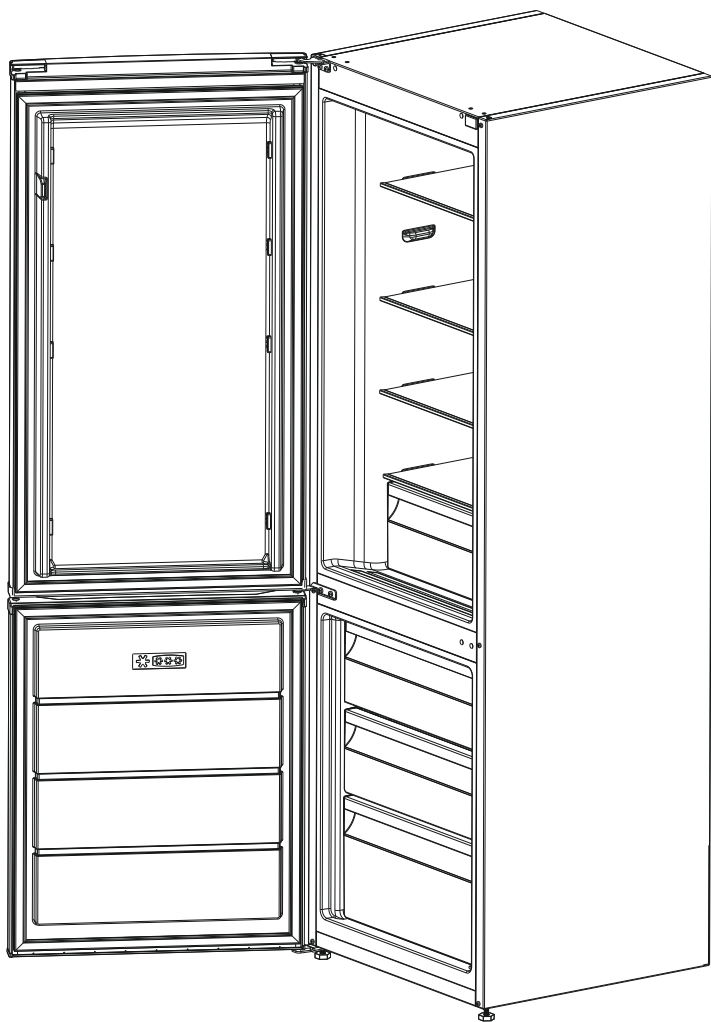
20





21





PART - 6. BEFORE CALLING FOR AFTER SALES SERVICE

If your refrigerator is not working properly, it may be a minor problem, therefore check the following.

The appliance does not operate,

Check if;

- There is no power,
- The general switch in your home is disconnected,
- The socket is not faulty. To check this, plug the appliance in to another socket which you know is working.

What to do if your appliance performs poorly

Check that:

- You have overloaded the appliance,
- The thermostat setting is on position “1” (if so set the thermostat dial to a suitable value).
- The doors are closed properly,
- There is no dust on the condenser,
- There is enough space at the rear and side walls.

If your fridge is operating too loudly

Normal Noises

Compressor noise

- Normal motor noise: This noise means that the compressor operates normally
- Compressor may cause more noise for a short time when it starts.

Bubbling noise and splash:

- This noise is caused by the flow of the refrigerant in the tubes of the system.
- If you hear any other noises check that:
 - The appliance is level
 - Nothing is touching the rear of the appliance
 - The objects on the appliance are vibrating.

If there is water in the lower part of the refrigerator;

Check if;

The drain hole for defrost water is not clogged (use defrost drain plug to clean the drain hole).

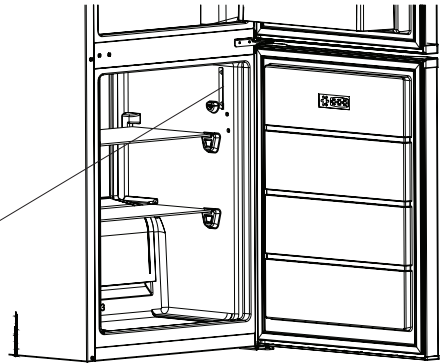
Important notes:

- In case of a sudden power loss or disconnecting and reconnecting of the plug to the electrical socket, the compressor protective thermal element will be opened as the pressure of the gas in the cooling system of your refrigerator has not yet been balanced. 4 or 5 minutes later, your refrigerator will start to operate; this is normal.
- If you won't be using your refrigerator for a long time (such as on summer holidays), please disconnect the plug from the socket. Clean your refrigerator as per Part 4 of this document and leave the door open to prevent any humidification or odor formation.
- If there is still a problem with your refrigerator although you have followed the instructions in this book, please consult your nearest authorized service center.

- The lifetime of your appliance is stated and declared by the Department of Industry. The length of time for retaining parts required for the proper operation of the appliance is 10 years.

Tips for saving energy

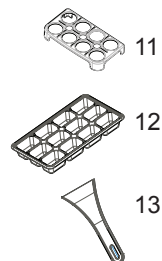
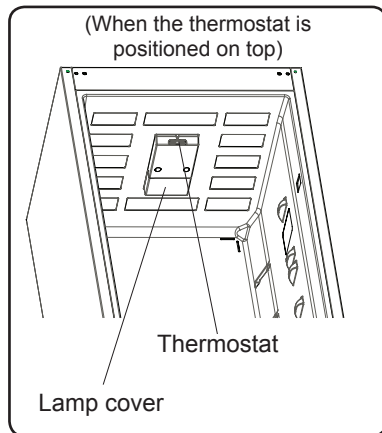
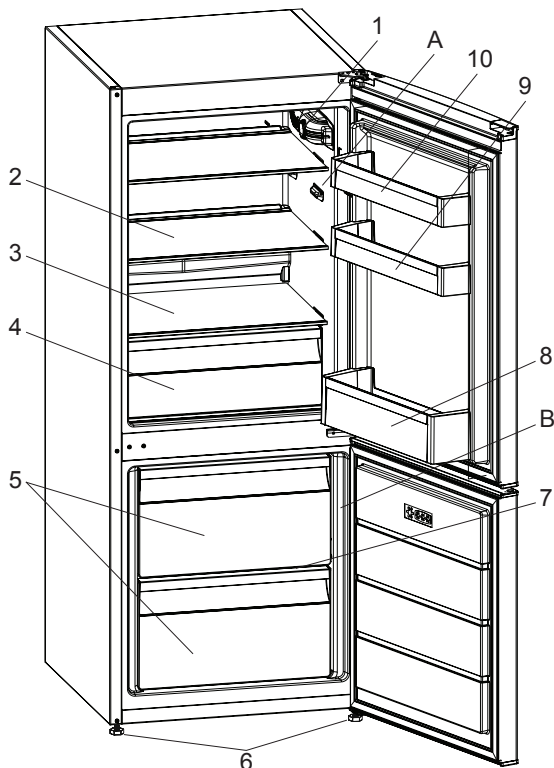
1. Install the appliance in a cool, well ventilated room , but not in direct sunlight and not near a heat source (radiator, cooker.. etc). Otherwise use an insulating plate.
2. Allow warm food and drinks to cool down outside the appliance.
3. When thawing frozen food, place it in the refrigerator compartment. The low temperature of the frozen food will help to cool the refrigerator compartment when it is thawing. This will help to save energy. If the frozen food is put out, it results in a waste of energy.
4. Cover drinks or other liquids when placing them in the appliance Otherwise humidity increases in the appliance. Therefore, the working time gets longer. Also covering drinks and other liquids helps to preserve smell and taste.
5. Try to avoid keeping the doors open for long periods or opening the doors too frequently as warm air will enter the cabinet and cause the compressor to switch on unnecessarily often.
6. Keep the covers of the different temperature compartments (crisper, chiller ...etc) closed
7. Door gasket must be clean and pliable. Replace gaskets if worn.
8. Energy consumption of your appliance is declared without drawers and fully loaded in freezer compartment.
9. For saving energy, do not use volume between the load limit and the door, along the load limit line. Load limit line is also used in energy consumption declaration.



Load limit line label

PART - 8.

PARTS OF THE APPLIANCE AND THE COMPARTMENTS



This presentation is only for information about the parts of the appliance.
Parts may vary according to the appliance model.

A) Fridge compartment

B) Freezer compartment

1) Thermostat box (When the thermostat is positioned on side)

2) Fridge compartment shelves

3) Crisper cover

4) Crisper

5) Freezer drawers

6) Levelling Feet

7) Freezer glass shelves *

8) Bottle shelf

9) Adjustable door shelf *

10) Door shelves

11) Egg holder

12) Ice box tray

13) Ice scraper*

ELECTRICAL CONNECTION (FOR UK TYPE PLUG)

For your safety please read the following information

Warning: This appliance must be earthed.

This appliance operates from 220-240 volts and should be protected by a 13 amp fuse in the plug.

The appliance is supplied with a standard 13 amp 3-pin mains plug fitted with a 13-amp fuse. Should the fuse require replacement, it must be replaced with a fuse rated at 13 amp and approved to BS1362.

If the mains plug which is fitted is unsuitable for the socket outlet in your home or is removed for any other reason, please follow the instructions below on how to wire a 13 amp 3 pin plug..

How to wire a 13 amp plug.

Important

The wires in the mains lead on this appliance are coloured in accordance with the following code:

Green and Yellow - Earth

Blue – Neutral

Brown – Live

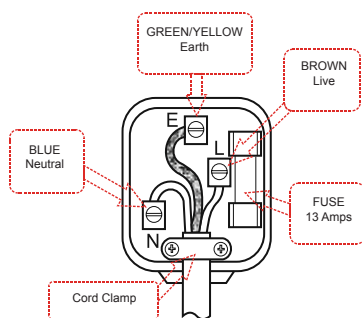
As the colours may not correspond with the markings identifying the terminals in your plug proceed as follows.

The green and yellow wire must be connected to the terminal in the plug which is marked with the letter E or with the earth symbol \equiv or coloured green and yellow.

The blue wire must be connected to the terminal marked N.

The brown wire must be connected to the terminal marked L.

You must make sure the lead is firmly secured under the cord clamp.



Customer service

Before contacting Customer Services please ensure you have read the troubleshooting guide to see whether you can eliminate the problem yourself.

If you have a problem you cannot resolve, initially you should contact your retailer as they may be responsible for servicing your **fridge freezer**. If not, contact the Customer Service Department of Lec.

When you call customer service you will be asked to confirm which range and model you have. Look at the data plate sticker on the inside of your **fridge freezer** at the bottom in the back left hand corner, this records the model and serial number. Make a note of them below as this information is required.

Information required:

Model number:

Serial number:

Date purchased:

Please note down some other information which may be useful:

Name of shop where purchased:
.....

Purchase price:

(for insurance purposes)

specification

In accordance with our policy of continual improvement, we may alter the specification without notice.

Should you sell or pass the Lec **fridge freezer** to someone else, make sure that this guide is also provided.

contact numbers

Should you require any further information regarding your **fridge freezer** or any of our other products, please contact us at the address below.

Customer Services Department,
Lec Refrigeration
Telephone: 0344 815 3737
Stoney Lane, Prescot, Merseyside L35 2XW
www.lec.co.uk

servicing

Repairs and maintenance of the appliance should only be performed by a qualified engineer.

Lec Guarantee

Your Lec fridge freezer is made from the very best materials to the highest standards of manufacture and has been extensively tested and inspected before leaving our factory. It conforms with current British and European Electrical Safety Standards. It is guaranteed for one year from the date of purchase, against mechanical and material defects, with the exception of light bulbs.

In the event of a defect to which this guarantee applies, please produce your receipt (as proof of purchase) to your supplier, who will make the necessary arrangements for rectification as quickly as possible.

This guarantee does not apply if:

- The fridge freezer has been improperly installed or used in a manner contrary to the operating instructions issued with it.
- The fridge freezer has been treated in an abnormal or abusive manner
- The fridge freezer has been used for industrial or commercial purposes.
- Any repair work has been carried out by any person other than a Lec approved engineer.
- Any parts have been fitted which are not genuine Lec approved parts.
- The fridge freezer has been modified in any way or the serial number has been removed or altered.
- Any toxic or corrosive products have been used or stored in or near to the fridge freezer.

Without prejudice to the rights of the buyer no liability is accepted for any consequential loss or damage resulting from failure of the fridge freezer for any reason whatsoever. You are strongly advised to insure under the special Lec Protection Plan which is enclosed with this guarantee or which is obtainable from the company.

Acceptance of this guarantee does not affect your statutory rights: Consumer Transactions (Restrictions on Statements) Order 1976.

This guarantee is applicable only in the United Kingdom and Channel Islands.

Lec

Lec Refrigeration

Stoney Lane, Prescot, Merseyside, L35 2XW

0344 815 3737

www.lec.co.uk

Lec Refrigeration, a division of Glen Dimplex Home Appliances

